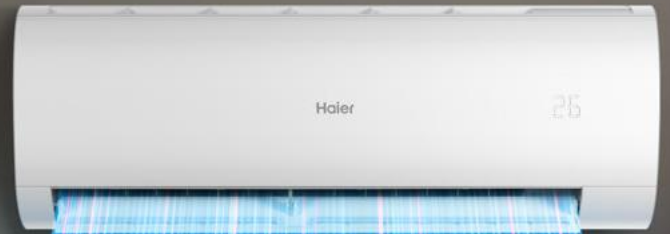


# Residential and Light Commercial

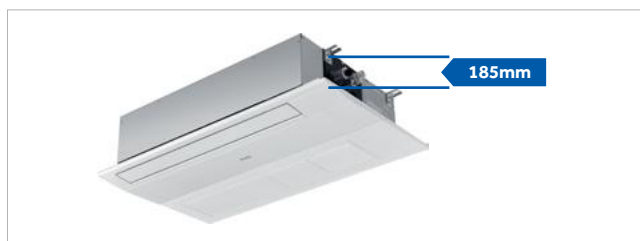
Catalogue 2024/25





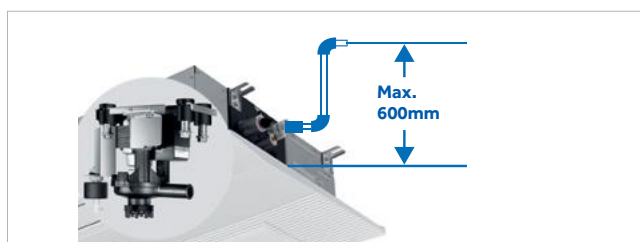
**185MM ULTRA-THIN UNIT**

185mm of thickness for easy installation.



**HIGH LIFT-UP DRAIN PUMP**

It can lift condensed water up to 600mm, which make installation more flexible according to the layout.



# 1-WAY CASSETTE <sup>NEW</sup>

## ANTIBACTERIAL FILTER

With silver ion health filter, its bactericidal rate is as high as 99.9%, mildew grade is 0.



## UVC STERILISATION

The built-in UVC Sterilisation module emits short-wave ultraviolet rays near the return air outlet to sterilise the air entering the air conditioner, without harmful chemicals and residues.



## WI-FI

Besides normal wired/infrared control, Haier provides smart control with our hOn APP, including the ON/OFF, operation mode selection, fan speed, temperature, air flow adjustment, schedule and UVC function.



## ROOM CARD

Allows the use of room cards to control the unit (on and off). Suitable for applications such as hotel.



## 10° TILT PANEL

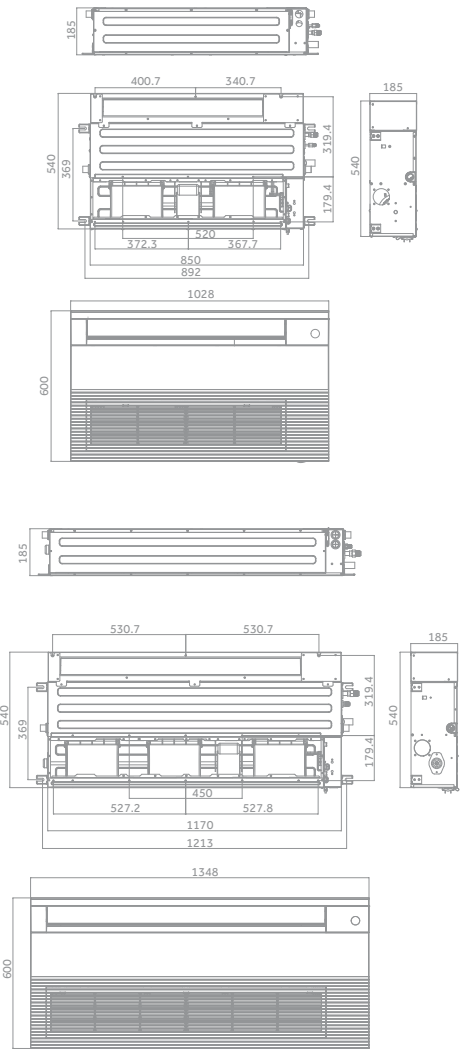
10° tilt panel avoids the air blowing directly into people, providing a more even airflow.



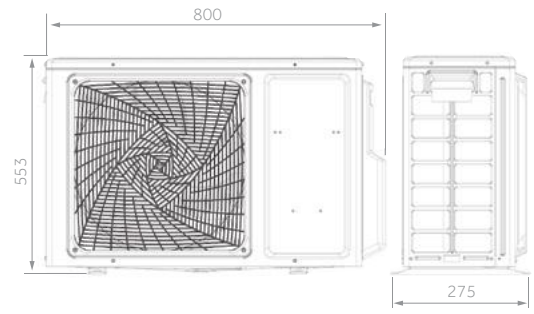
# NEW 1 WAY CASSETTE



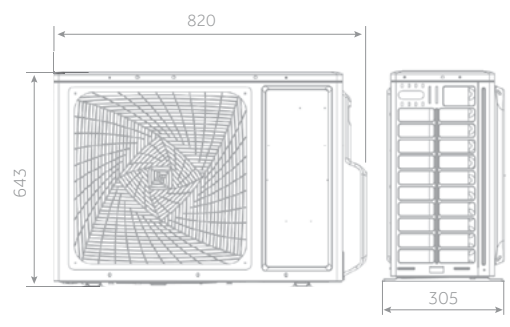
AB25 - AB35 - AB50 - AB71



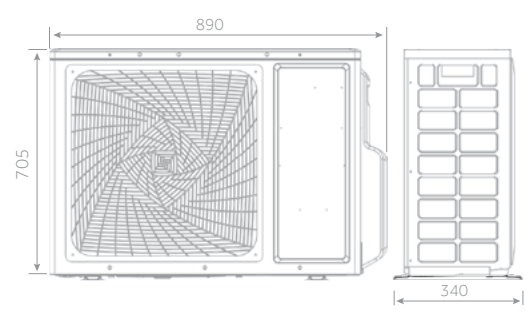
1U25 - 1U35



1U50



1U71



2.5 kW - 3.5 kW



5.0 kW



7.1 kW

# 1-WAY CASSETTE <sup>NEW</sup>

Haier

MONOSPLIT



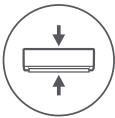
2,5 kW

3,5 kW

5,0 kW

7,1 kW

Please see pages 40 & 41 For Controller Options



Compact Design



Integrated Wi-Fi Control



UVC Sterilisation



Fresh Air



- Compact Design (185 mm)
- Integrated Wi-Fi control
- UVC Sterilisation
- 'Fresh air' knockout is incorporated in the chassis to allow fresh air introduction

INDOOR UNIT	Model		AB25S2SA1FA(H)	AB35S2SA1FA(H)	AB50S2SA1FA(H)	AB71S2SA1FA(H)
OUTDOOR UNIT	Model		1U25S2SM1FA-2	1U35S2SM1FA-2	1U50S2SJ2FA-2	1U71S2ST1FA
<b>Performance data</b>						
Output power - COOLING	nom (min-max)	kW	2,6 (0,7-4,3)	3,5 (1,0-4,3)	5,0 (1,8-5,8)	6,9 (2-7,3)
Output power - HEATING	nom (min-max)	kW	3,2 (0,9-4,6)	4,0 (1,0-5,3)	5,5 (2-6,5)	7,6 (2,5-8)
Absorbed power - COOLING	nom (min-max)	kW	0,78 (0,25-1,6)	1,06 (0,3-1,5)	1,53 (0,55-2)	2,14 (0,5-2,6)
Absorbed power - HEATING	nom (min-max)	kW	0,86 (0,25-1,6)	1,08 (0,5-1,6)	1,48 (0,7-2,1)	2,04 (0,5-2,6)
Energy class	EER	W/W	3,31	3,31	3,26	3,23
	COP	W/W	3,72	3,72	3,72	3,72
COOLING Pdesign	35 °C	kW	2,6	3,5	5	6,9
HEATING Pdesign	(-10 °C)	kW	2,1	3	4	5
Energy class	SEER		6,2 (A++)	6,2 (A++)	6,2 (A++)	6,1 (A++)
	SCOP		4,0 (A+)	4,2 (A+)	4,0 (A+)	4,0 (A+)
Annual Energy Consumption - COOLING		kWh/a	210	199	363	406
Annual Energy Consumption - HEATING		kWh/a	1398	1020	1932	1831
<b>Indoor Unit</b>						
Power supply		Ph/V/Hz	1/220-240/50/60	1/220-240/50/60	1/220-240/50/60	1/220-240/50/60
Treated air volume	(H/M/L/Q)	m3/h	500/450/400/350	560/500/450/400	850/700/550/450	900/700/600/500
High sound power		dB	62	64	65	67
Sound pressure		dB(A)	43/40/37/34	45/42/39/36	47/44/41/38	49/46/43/40
Net dimensions	WxDxH	mm	850x540x185	850x540x185	1170x540x185	1170x540x185
Packaging dimensions	WxDxH	mm	1043x648x270	1043x648x270	1363x648x270	1363x648x270
Net/gross weight		kg	20,8/24,9	20,8/24,9	26/31	27/32
Panel	Model		P1B-1028IB	P1B-1028IB	P1B-1348IB	P1B-1348IB
Panel Net dimensions	WxDxH	mm	1028x600x45	1028x600x45	1348x600x45	1348x600x45
Panel Packaging dimensions	WxDxH	mm	1143x688x170	1143x688x170	1463x688x170	1463x688x170
Panel Net/gross weight			3,9/8,0	3,9/8,0	5,1/9,8	5,1/9,8
<b>Outdoor Unit</b>						
Power supply		Ph/V/Hz	1/220-240/50	1/220-240/50	1/220-240/50	1/220-240/50/60
Power cable		N x mm2	3 x 1,5	3 x 1,5	3 x 1,5	3 x 4,0
Interconnection cable		N x mm2	4 x 1,0	4 x 1,0	4 x 1,0	4 x 2,5
Sound power	H	dB	59	61	63	68
Sound pressure	H	dB(A)	47	48	50	54
Running current cooling/heating	Max	A	8,0	8,0	10,68	13,1
Starting current cooling/heating	Max	A	2,0	2,0	2,0	2,0
Net dimensions	WxDxH	mm	800x275x553	800x275x553	820x305x643	890x340x705
Packaging dimensions	WxDxH	mm	902x375x607	902x375x607	940x390x697	1046x460x780
Net/gross weight		kg	27,6/30,4	30/32,9	35,7/38,5	44/48
Compressor type			Rotary	Rotary	Rotary	Twin rotary
<b>Installation data</b>						
Refrigerant			R32	R32	R32	R32
Liquid pipe	Ø	mm (inch)	6,35 (1/4)	6,35 (1/4)	6,35 (1/4)	9,52 (3/8)
Gas pipe	Ø	mm (inch)	9,52 (3/8)	9,52 (3/8)	12,70 (1/2)	15,88 (5/8)
Standard pipe length without refrigerant charge		m	7	7	7	10
Maximum pipe length		m	20	20	25	50
Maximum IU - OU elevation		m	10	10	15	30
Refrigerant charge in the factory		kg	0,63	0,78	1,1	1,23
Refrigerant charge in the factory		TCO2eq	1,1	0,53	0,74	0,83
Additional ref. charge over std length		g/m	20	20	20	45
Outdoor operating limits - COOLING	min-max	°C			-20-43	
Outdoor operating limits - HEATING	min-max	°C			-20-24	

**Haier**  
HVAC Solutions



**Haier HVAC**  
[haierhvac.eu](https://haierhvac.eu)

Copyright © 2024 Haier. All rights reserved.