

SPLIT HE R32



AW042SSCHA
AW062SSCHA



AW082SNCHA
AW102SNCHA



HU062WAMNA
HU102WAMNA



ATW-A02
(optional)



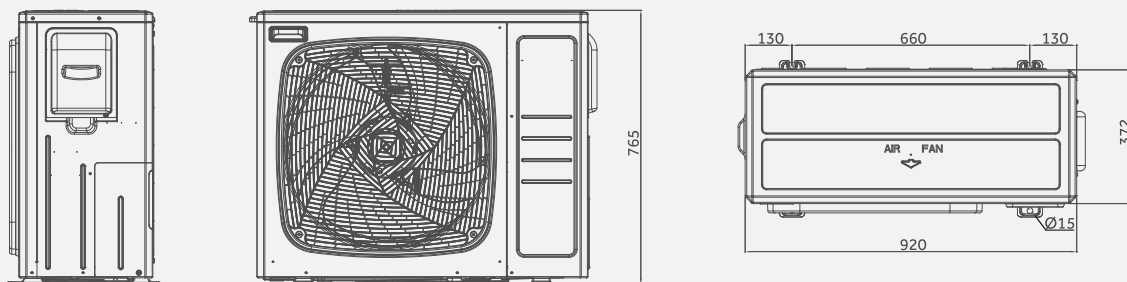
HW-WA101DBT
(optional)

Product Data			Super Aqua S 4	Super Aqua S 6	Super Aqua S 8	Super Aqua S 10
Heating (LWT 35 °C / OAT 7 °C)	Capacity	kW	4.00	6.00	8.00	10.00
	Power Input	kW	0.80	1.20	1.60	2.17
	COP	W/W	5.02	4.98	5.00	4.60
Heating (LWT 55 °C / OAT 7 °C)	Capacity	kW	4.00	6.00	8.00	10.00
	Power Input	kW	1.49	2.18	2.82	3.66
	COP	W/W	2.69	2.75	2.84	2.73
Space heating Average climate water outlet 35°C	SCOP	-	5.00	4.80	4.90	4.85
	ns	%	197	189	193	191
	Energy class	-	A+++	A+++	A+++	A+++
Space heating Average climate water outlet 55°C	SCOP	-	3.45	3.38	3.32	3.30
	ns	%	135	132	130	129
	Energy class	-	A++	A++	A++	A++
Cooling (LWT 18 °C / OAT 35 °C)	Capacity	kW	4.00	6.00	8.00	10.00
	Power Input	kW	0.85	1.26	1.9	2.50
	EER	W/W	4.70	4.75	4.20	4.00
Cooling (LWT 7 °C / OAT 35 °C)	Capacity	kW	4.00	6.00	8.00	9.00
	Power Input	kW	1.29	1.97	2.63	3.00
	EER	W/W	3.10	3.05	3.04	3.00
Indoor Unit			HU062WAMNA	HU062WAMNA	HU102WAMNA	HU102WAMNA
Leaving water temperature range	Heating	°C	15-60	15-60	15-60	15-60
	Cooling	°C	5-25	5-25	5-25	5-25
Sound power level		dB(A)	42	42	42	42
Backup electric heater capacity	Capacity	kW	1+3	1+3	1+3	1+3
	Levels	-	3	3	3	3
Expansion vessel capacity	L		5	5	5	5
Pump	Type	-	Variable speed	Variable speed	Variable speed	Variable speed
	Power input	W	75	75	75	75
Water flow rate		L/min	11.5	17	23	28.7
Water pipe connection	Inlet/Outlet	inch	R 1	R 1	R 1	R 1
Pipe diameter	Liquid	mm(inch)	6.35 (1/4)	6.35 (1/4)	9.52 (3/8)	9.52 (3/8)
	Gas	mm(inch)	15.88 (5/8)	15.88 (5/8)	15.88 (5/8)	15.88 (5/8)
Net dimension	(HxWxD)	mm	850 × 480 × 310	850 × 480 × 310	850 × 480 × 310	850 × 480 × 310
Packing dimension	(HxWxD)	mm	1020 × 580 × 460	1020 × 580 × 460	1020 × 580 × 460	1020 × 580 × 460
Net / Gross weight		kg	41 / 53	41 / 53	43 / 55	43 / 55
Power supply		-V/Hz	1/220-240/50	1/220-240/50	1/220-240/50	1/220-240/50
Max running current	A		20	20	20	20
Built-in circuit breaker	A		63	63	63	63
Outdoor Unit			AW042SSCHA	AW062SSCHA	AW082SNCHA	AW102SNCHA
Outdoor operating temperature range	Cooling	°C	10-48	10-48	10-48	10-48
	Heating	°C	-25-35	-25-35	-25-35	-25-35
Compressor	Quantity	-	1	1	1	1
	Type	-	DC inverter twin rotary			
Refrigerant	Type	-	R32			
	Charge/CO2 Eq.	kg/T	1.2 / 0.81	1.2 / 0.81	1.6 / 1.08	1.6 / 1.08
Pipe diameter	Liquid	mm(inch)	6.35 (1/4)	6.35 (1/4)	9.52 (3/8)	9.52 (3/8)
	Gas	mm(inch)	15.88 (5/8)	15.88 (5/8)	15.88 (5/8)	15.88 (5/8)
Max refrigerant pipe length	m		30	30	50	50
Max height difference between ODU&IDU	m		20	20	30	30
Pipe length without additional charge	m		10	10	10	10
Additional charging volume	g/m		20	20	38	38
Sound pressure level	dB(A)		44	45	49	53
Sound power level	dB(A)		58	61	65	68
Net dimension	(HxWxD)	mm	765 × 920 × 372	765 × 920 × 372	965 × 950 × 370	965 × 950 × 370
Packing dimension	(HxWxD)	mm	980 × 1050 × 500	980 × 1050 × 500	1090 × 1030 × 480	1090 × 1030 × 480
Net / Gross weight		kg	55 / 67	55 / 67	76 / 86	76 / 86
Power supply		-V/Hz	1/220-240/50	1/220-240/50	1/220-240/50	1/220-240/50
Max running current	A		12.5	13	19	22
Recommended circuit breaker	A		16	16	25	32
External wired controller			HW-WA101DBT (Optional)			

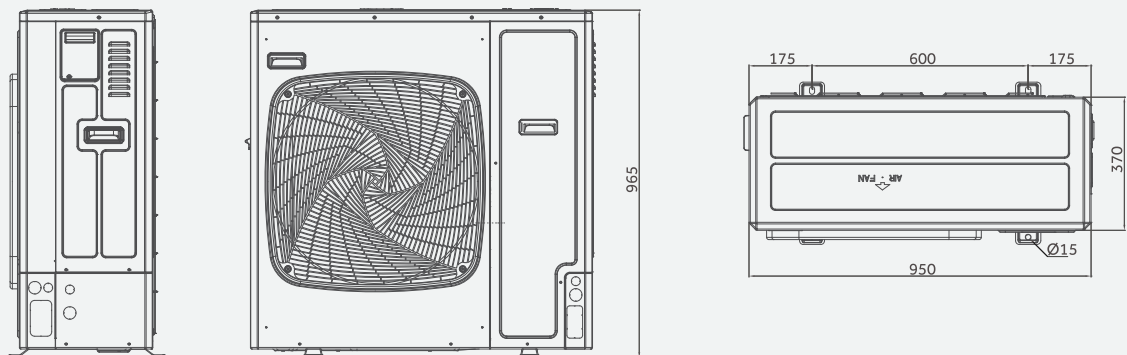


SPLIT HE R32

SPLIT HE
AW042SSCHA
AW062SSCHA



SPLIT HE
AW082SNCHA
AW102SNCHA



SPLIT HE (INDOOR)
HU062WAMNA
HU102WAMNA

